



Accurately Weighing Africa



BAGGING SCALES

DELIVERING CONSISTENTLY
ACCURATE BAG WEIGHTS



SASCO WEIGHING SYSTEMS

SMART SUPPORT

0861 422 134

OR +27 83 680 0722

E-mail: info@sascoafrica.com

Web: www.sascoafrica.com

24 hours, 7 Days a week

GROUP SUPPORT H/O

2 Blackburn Street

Apex Industrial | Benoni

Phone: +27 (0) 11 746 6000

Fax: +27 (0) 11 746 6100

BG-24-01

SASCO BAGGING SCALES offer the most accurate and effective way to measure and control the dispensing of a specific amount of dry bulk material (powder, pellet, granule) into an open mouth bag. The bagging scale consists of the weighing mechanics being a feed mechanism, a frame, a weigh-hoppers which includes a discharge door, load cell mounts, and a controller.

The selection of the discharge door design, the number of speed options, type of load cell mounts and number of weigh hoppers determines the accuracy and speed of the weighing system, while the selection of the controller determines the functionality and connectivity of the bag weighing system.

Sasco offers a broad range of rugged and accurate Bagging Scales all of which can be tailor made to meet customers' specific requirements, with three configurations being central to Sasco's product offering, namely the BS100, BS200 & BS300 bag weighing scales.

Sasco Bagging Scales provide solutions for nearly every dry bulk material bagging application.

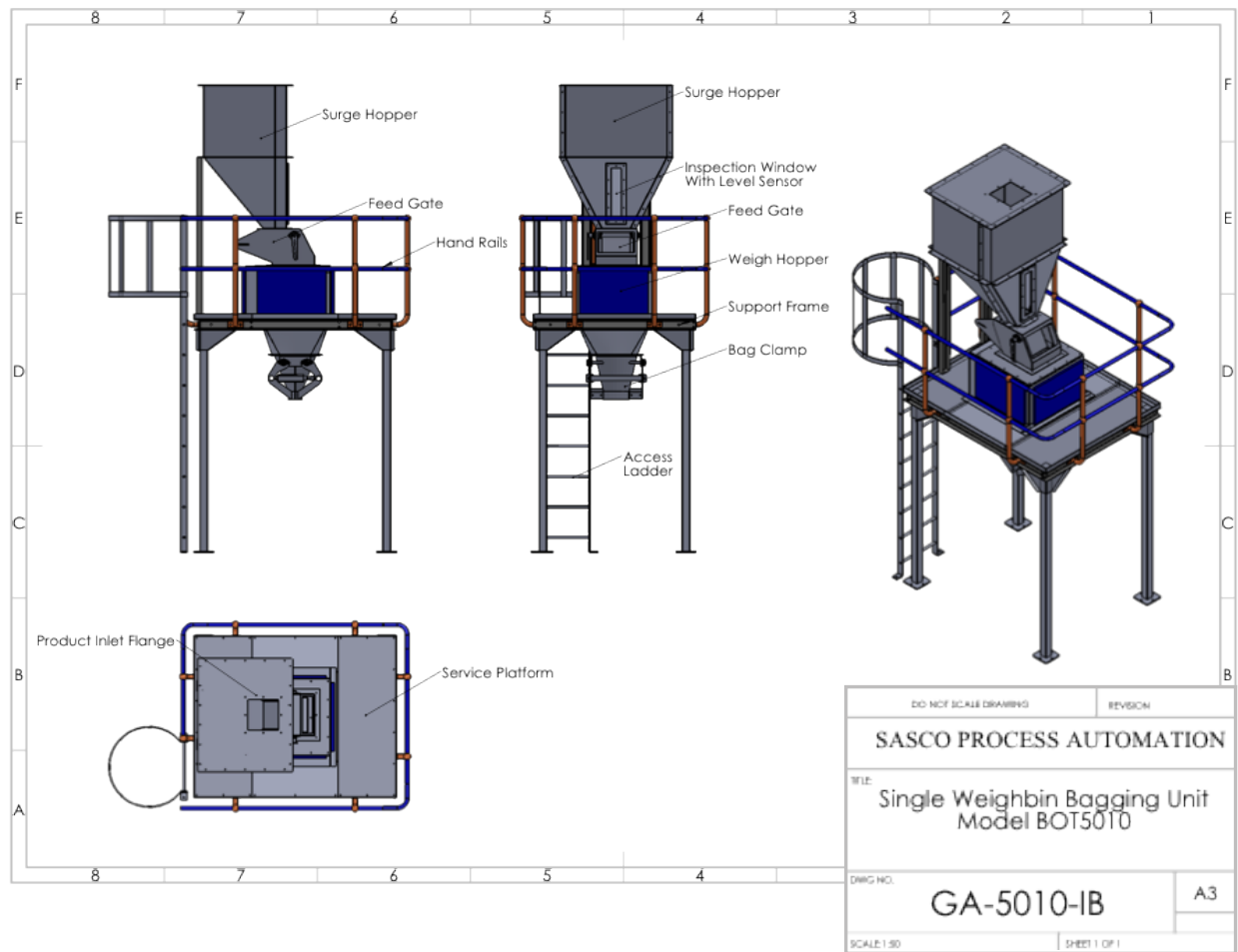


Typical Bagging Scale

Product Overview

SASCO BAGGING SCALES have the following key component options, which are reflected in our range of standard bagging scale product range and bespoke product options.

Bagging Scale Mechanical Overview



Standard Product Range

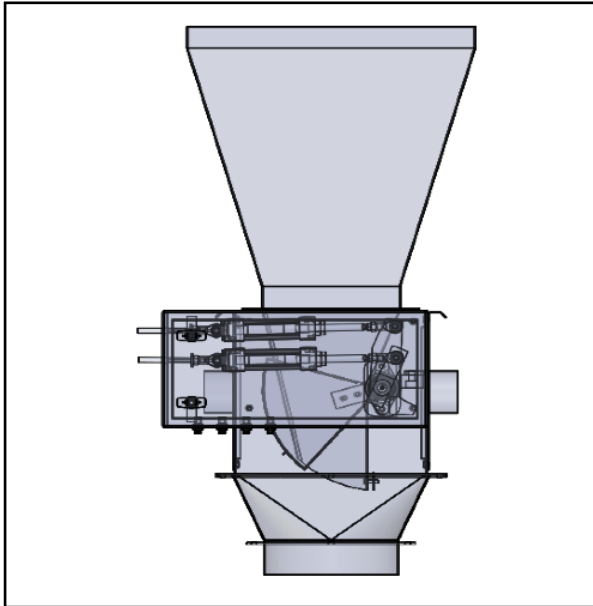
DELIVERING ACCURATE BAG WEIGHTS

The Sasco Bagging Scale range comprises both bespoke products and the following standard base products:

PRODUCT NUMBER	BG-100	BG-200	BG-300
			
	PW-100	L337	PCL System
Applications	Low Volume	Medium Volume	High Volume
Bag Speed	8 bags p.m.	14 bags p.m.	22 bags p.m.
SPECIFICATIONS			
Discharge Door	Flat	Steep Angle	Steep Angle
Search Bin	No	Yes	Yes
Number of Speeds	Dual Speed	3 Speed Var	2 Dual Speed Var Feed
Load Cell Mount	Direct	Direct	Direct + Damper
Weigh Hoppers	Single	Single	Dual
OPTIONS			
Feeder Options	Yes	Yes	Yes
Sewing	Yes	Yes	Yes
Lead Off Conveyor	Yes	Yes	Yes
In-Line Weighing	Yes	Yes	Yes
Data Integration	Yes	Yes	Yes

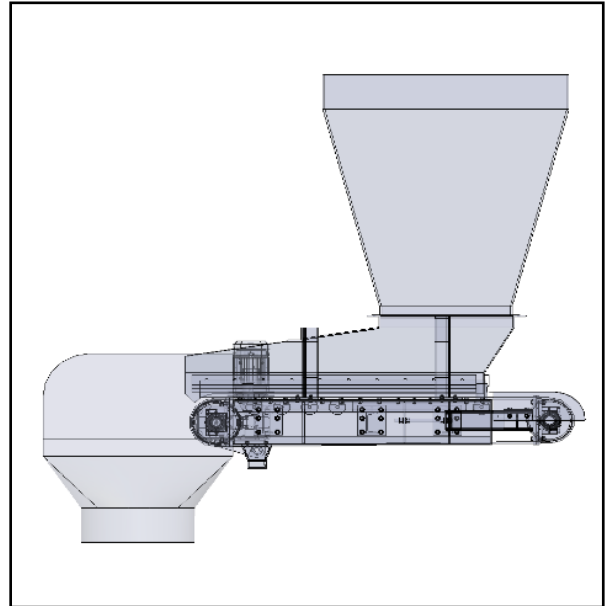
Head Feed Options

Gravity Feed



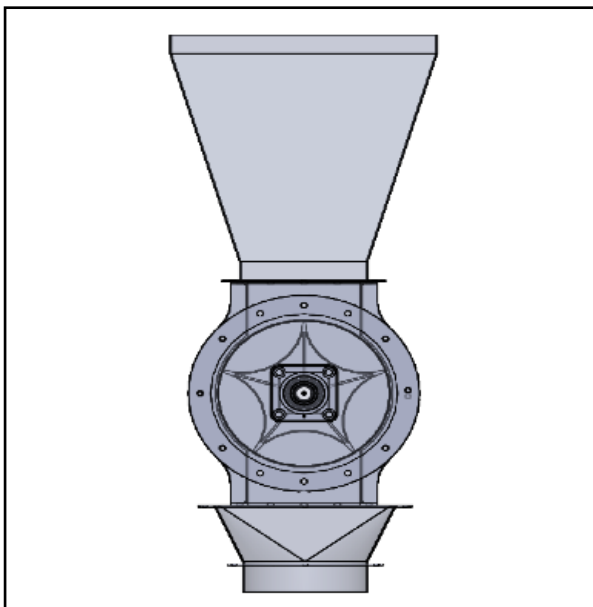
For free - flowing granular products such as sugar, salt, maize and rice.

Belt Feed



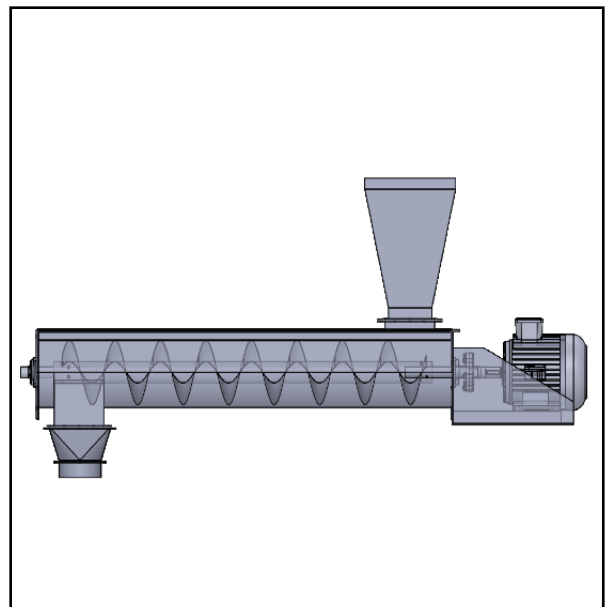
For coarse and flake products such as crushed stone, compost, asphalt and fertilizer.

Rotary Feed



For special products and applications.

Screw Feed



For powder products such as yeast, cement and lime.

Controller Features Comparison

PCL functionality on the BG 300 is bespoke. The features of the PW100 and L337 controllers are as follows:

	PW 100 Controller	L337 Controller
Display	6-digit 7-segment LED + 8 LEDs + LCD	12.5cm/5.7" TFT colour screen
Display Type	7-segment + mono-colour Graphic LCD	Colour Graphic LCD
Mounting	Wall	Panel, Wall, Desk
Key Pads	20-key Alphanumeric membrane keyboard	30-key Alphanumeric keypad + Ability to plug into a key pad separate from the controller.
Built in Web Server	No	Yes
IP Rating	IP65	IP69K
Digital Filter	Moving average digital filter with programmable input step detection	Motion filter and digital
Input Power	90-260 VAC or 10-30 VDC	110-240 VAC or 12-30 VDC
Load Cells Operated	8 Loadcells	16 load cells
Scales Operated	1	2
Standard Comms	RS232	USB, RS232, Ethernet
Communication Options	Optional RS232, RS485, USB, Ethernet, RF	RS232, RS485, RS422, RS4220, PROFIBUS, Modbus and Ethernet/ WiFi
Ticket Formats	Fixed	Standard formats with limited used defined fields
Approvals	No Approvals	EN 45501 OIML R 76-1 EN 61000-6-2 EN 61000-6-3 NAMUR NE21 EN 62368-1 OIML R 51 OIML R 61 OIML107
Applications	Loadcell transmitter Loss-in-weight controller Through-put weigher Bag filling Batch weigher Dynamometer	Truck scales with axle-weighing Loss-in-weight controller Through-put weigher Bag filling Big-bag filling Batch weigher Belt weigher Counting scales Check weighing Filling systems for solid and liquid material Mobile scales

	PW100 Controller	L337 Controller
Memory	SD memory stick	To record 120,000 weighing records
Configurable Set Points	Depend on the application	99
I/O Digital Channels	6 in & 6 out	8 (4 in, 4 out) internal / up to 64 DIO external
Analog In/Out	One analog output as standard	Optional analog inputs and outputs

Application Example

BAGGING SCALE

A sugar mill in Mozambique was expanding and required a weighing system to ensure bags of sugar were correctly filled to the correct weight.

The other requirement was that the unit be capable of filling at least 10 bags per minute, with each bag weighing 50 kg. Sasco supplied the customer with a dual weigh bin bagging unit with a maximum fill rate of 16 bags a minute.

The dual weigh bin system was selected as it is very reliable and minimizes down time by giving maintenance technicians the option of doing maintenance on one weigh bin while the operators continue to fill bags on the second weigh bin.



SMART SUPPORT

0861 422 134

OR +27 83 680 0722

E-mail: info@sascoafrica.com

Web: www.sascoafrica.com

24 hours, 7 Days a week

This brochure contains a general guide of the product only and shall not form part of any contract unless specifically agreed by Sasco Africa in writing in each case on the Order Acknowledgement. The specification of the product described herein may vary from time to time and may be altered without notice.

LOCAL SUPPORT AGENT

